

- Boiler for 150 psi Steam Working Pressure or 30 psi Water Working Pressure constructed in accordance with the requirements of the A.S.M.E. Boiler and Pressure Vessel Code.
- Two pass design eliminates refractory baffles that can burn out and short circuit hot gases to the stack. Water back design.
- All heating surfaces are accessible without disturbing burner equipment, reducing inspection and maintenance costs. 2½" tubes are roller expanded.
- Factory installed 22 gauge enameled steel jacket with mineral fibre insulation. Extra density insulation is used at selected locations for additional protection at potential pressure points.
- Hinged steel front flue doors lined with refractory insulation. Gasketed seal gives gas tight construction for pressurized firing.
- The Classic II packages are offered in ranges of size from 70 thru 750 hp, fired by a Kewanee gas, oil or combination gas-oil burner.
- Units are furnished with complete line of controls. Steam controls consist of combination water column, low water cut-off, and pump control. Safety valve(s), steam gauge and drain valve. Water controls consist of low water cut-off, relief valve(s), pressure gauge, thermometer, and drain valve.

- All Classic II units are factory firetested, with the specified fuel and simulated field conditions, adjusting fuel and air ratios plus checking all controls and operating sequence. A detailed report of this test is delivered to the purchaser with each unit.

The Kewanee Classic II Packages are the results of over 100 years of experience in designing and building heat-generating equipment. We still believe in pride and craftsmanship in boiler manufacturing. The Classic II is a prime example. We've engineered the boiler and the burner as a matched team to maintain highest efficiency and carry peak loads without strain or wear . . . and to do it with real fuel-saving economy. We also give you a single source responsibility for boiler and burner and fully integrated design.

RATINGS

UNIT NUMBER L2S - L2W	70	100	125	150	200	250	300	350	400	500	600	750
Rating—Horsepower	70	100	125	150	200	250	300	350	400	500	600	750
—MBh	2343	3348	4184	5021	6695	8369	10043	11716	13390	16738	20085	25106
—Steam per hr. 212°F	2415	3450	4313	5175	6900	8625	10350	12075	13800	17250	20700	25875
—Steam gross output sq. ft.	9765	13950	17438	20925	27895	34875	41845	48820	55795	69750	83625	104610
—Steam Net MCA sq. ft.	7811	11158	13948	16738	22317	27896	33475	39054	44633	55792	66950	83688
—Water Net MCA MBh	2037	2911	3640	4366	5825	7280	8735	10190	11645	14555	17465	21840
Firing Rate—Gas (1000 Btu/cu. ft.) MBh	2929	4185	5231	6278	8370	10463	12554	14646	16740	20925	25110	31383
—Oil 140,000 Btu gph	21.0	30.0	37.5	45.0	60.0	75.0	90.0	104.6	119.6	150.0	179.5	225.0
—Oil 150,000 Btu gph	19.5	28.0	35.0	42.0	56.0	70.0	84.0	97.6	111.7	140.0	167.5	209.2
Heating Surface—ASME sq. ft.	358	500	625	750	1000	1250	1500	1750	2000	2500	3000	3750
Furnace Volume cu. ft.	44.9	61.0	73.0	81.8	113.5	130.1	158.8	189.8	206.8	260.4	296.7	423.8
Safety Valve Capacity lbs.	2864	4000	5000	6000	8000	10000	12000	14000	16000	20000	24000	30000

DATA

Insulation Thickness in.	2	2	2	2	2	2	2	2	2	2	2	2
Minimum Stack Diameter in.	12	12	14	14	16	16	18	20	20	22	24	27
Steam Space cu. ft.	19.7	28.0	39.0	45.7	70.0	84.8	109.0	118.4	132.8	169.9	176.6	229.2
Disengaging Area sq. ft.	34.1	43.3	48.7	57.1	66.6	80.6	91.3	97.4	109.2	129.3	131.2	157.5
Water Content (full) gals.	729	1008	1165	1383	1792	2155	2625	3000	3388	4245	4846	5976
to normal waterline gals.	582	799	873	1041	1268	1521	1810	2114	2395	2974	3525	4262
Approx. Weight (full) lbs.	13680	17607	21616	24734	31645	37073	46393	52320	60756	72003	84716	99440
Approx. Dry Weight lbs.	7600	9200	11900	13200	16700	19100	24500	27300	32500	36600	44300	49600

DIMENSIONS, DATA SUBJECT TO CHANGE WITHOUT NOTICE

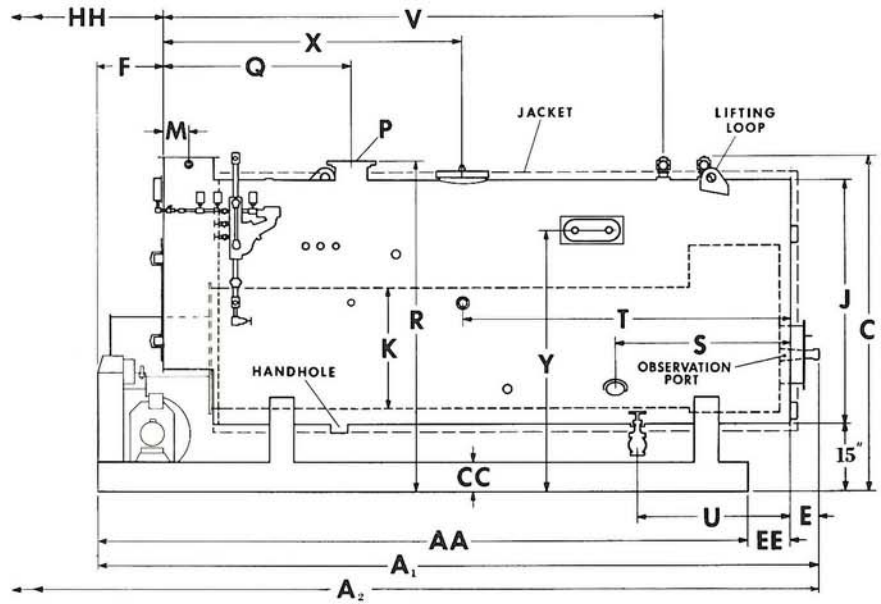
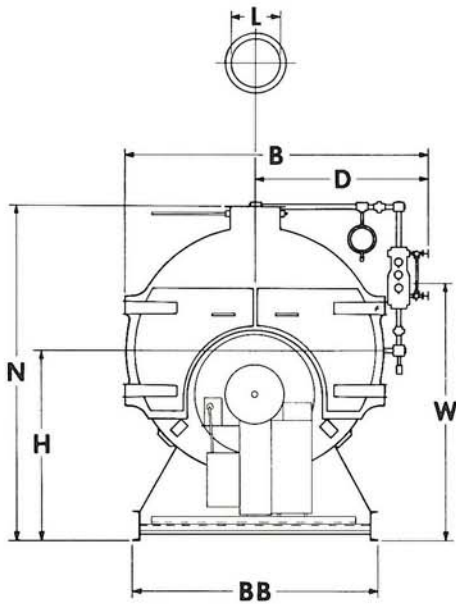


Diagram for 300-750 units only.
Drawings available for 70-250 (without skid extension)

CLASSIC II DIMENSIONAL DATA 15# STEAM — 30# WATER L2S — L2W

UNIT NUMBER	70	100	125	150	200	250	300	350	400	500	600	750
A1 — Overall length	13' 1"	14' 9"	14' 6½"	16' 9"	15' 9"	18' 7"	18' 11½"	19' 1"	20' 11½"	23' 7"	22' 3"	24' 7"
A2 — Overall length including tube removal	18' 3½"	20' 11½"	20' 6½"	24' 3½"	22' 7½"	27' 9"	28' 7"	28' 9"	32' 6"	35' 11"	33' 2½"	37' 2½"
B — Overall width	5' 8"	6' 2"	6' 8"	6' 8"	7' 7½"	7' 7½"	8' 2"	9' 2"	9' 10"	9' 8"	10' 5½"	11' 1"
C — Overall height	6' 9"	7' 4"	7' 8"	7' 9"	8' 10"	8' 9"	9' 4"	9' 9"	9' 10"	10' 4"	11' 2"	11' 10"
D — Boiler centerline to greatest width	3' 2½"	3' 5½"	3' 8½"	3' 8½"	4' 2½"	4' 2½"	4' 5½"	5' 2½"	5' 2½"	5' 5½"	5' 10½"	6' 2½"
E — Observation port to rear head	8"	8"	8"	8"	7½"	7½"	7"	6½"	6½"	6½"	6½"	6½"
F — Skid to front of boiler	1' 4½"	1' 7½"	1' 6½"	1' 6½"	1' 4½"	1' 7½"	1' 6½"	1' 6"	1' 6"	2' 3"	2' 1½"	1' 11½"
H — Boiler centerline height	3' 6½"	3' 9½"	4' ½"	4' ½"	4' 6½"	4' 6½"	4' 9½"	5' ½"	5' ½"	5' 3½"	5' 8½"	6' ½"
J — Shell diameter	4' 6"	5'	5' 6"	5' 6"	5' 6"	6' 6"	6' 6"	7'	7' 6"	8'	8' 10"	9' 6"
K — Furnace diameter	2' 0"	2' 2½"	2' 5½"	2' 5½"	2' 10½"	2' 10½"	3' 1½"	3' 5"	3' 5"	3' 7½"	3' 11"	4' 5"
L — Smoke outlet diameter	1' 0"	1' 0"	1' 2"	1' 2"	1' 4"	1' 4"	1' 6"	1' 8"	1' 8"	1' 10"	2' 0"	2' 3"
M — Centerline of smoke outlet	6½"	6½"	7½"	7½"	8½"	8½"	8"	7"	7"	7"	8"	8½"
N — Height of smoke outlet	6' 5"	6' 11"	7' 5"	7' 5"	8' 5"	8' 5"	8' 11"	9' 4½"	9' 4½"	9' 10½"	10' 8½"	11' 4"
P — Supply size - 150 Lb. ASA flange	8"	8"	8"	8"	8"	10"	10"	10"	12"	12"	12"	12"
Q — Supply centerline	3' 7"	3' 8"	3' 9"	4' 3"	4' 5"	4' 11"	4' 9"	5' 5½"	5' 5½"	5' 9½"	5' 8½"	6' ½"
R — Supply height	6' 3"	6' 9"	7' 3"	7' 3"	8' 3"	8' 4"	8' 10"	9' 4"	9' 4"	9' 10"	10' 8"	11' 4"
S — Return centerline—each side	3' 4½"	4' 5"	3' 8½"	3' 11½"	4' 5½"	4' 10"	4' 8"	4' 11"	5' 10½"	7' 1"	6' ½"	7' 2"
Return size	4"	4"	4"	4"	4"	6"	6"	6"	6"	6"	6"	6"
T — Feedwater centerline—each side	5' 5"	6' 8"	6' 6½"	7' 5"	6' 9½"	8' 10"	9' 7½"	9' 1"	9' 11½"	11' 6"	10' 5"	11' 11"
Feedwater size	1½"	1½"	1½"	1½"	1½"	1½"	1½"	1½"	2"	2"	2½"	2½"
U — Drain centerline	3' ½"	3' 5"	3' ½"	3' 2½"	4' 5½"	4' 2"	3' 9½"	4' 3"	4' 3"	5' ½"	5' 6½"	6' ½"
Drain size	1½"	1½"	1½"	1½"	2"	2"	2"	2"	2"	2"	2"	2"
V — Safety valve centerline	8' 8½"	9' 7½"	9' 3"	11' 2½"	10' 7"	12' 1"	11' 9"	11' 2½"	14' 7½"	14' 11½"	13' ½"	14' 4½"
W — Normal waterline	4' 11½"	5' 4½"	5' 8"	5' 8"	6' 3½"	6' 3½"	6' 7"	7' 1"	7' 1"	7' 5"	8' 2½"	8' 8½"
X — Manhole centerline	5' 7"	5' 9"	5' 9"	6' 9"	6' 11"	7' 5"	7' 3"	7' 11½"	8' 11½"	9' 3½"	9' 2½"	10' 2½"
Y — Coil connection height	5' 2"	5' 6½"	5' 10"	5' 10"	6' 6"	6' 6"	6' 9"	7' 2½"	7' 2½"	7' 7"	8' 4"	8' 10½"
AA — Base length	8' 6"	9' 6"	9' 6"	11' 4"	10' 2"	12' 11"	16' 1½"	15' 10"	17' 9"	20' 6"	19' 2"	20' 8"
BB — Base width	4'	4' 6"	5'	5'	6'	6'	6' 6"	7'	7'	7' 6"	8'	8'
CC — Base height	6"	6"	8"	8"	8"	10"	10"	10"	10"	10"	12"	12"
EE — Skid to rear of boiler	1' 5½"	1' 9½"	1' 7"	1' 11½"	2' 2"	2' 0"	2' 3"	2' 8½"	2' 8"	2' 6½"	2' 6½"	3' 4½"
FF — Base to front of burner	2' 5½"	2' 9½"	2' 9½"	2' 9½"	2' 9½"	3' ½"	—	—	—	—	—	—
HH — Tube removal space	6' 7"	7' 10"	7' 6½"	9' 1"	8' 3"	10' 9½"	11' 2"	11' 2"	13' ½"	14' 7"	13' 1"	14' 7"



KEWANEЕ

Boiler Parts Supplied by Cici Boiler Rooms, Inc.

www.kewanee.com

1-800-848-8197