

Round type "R" boilers residential • oil, gas or stoker

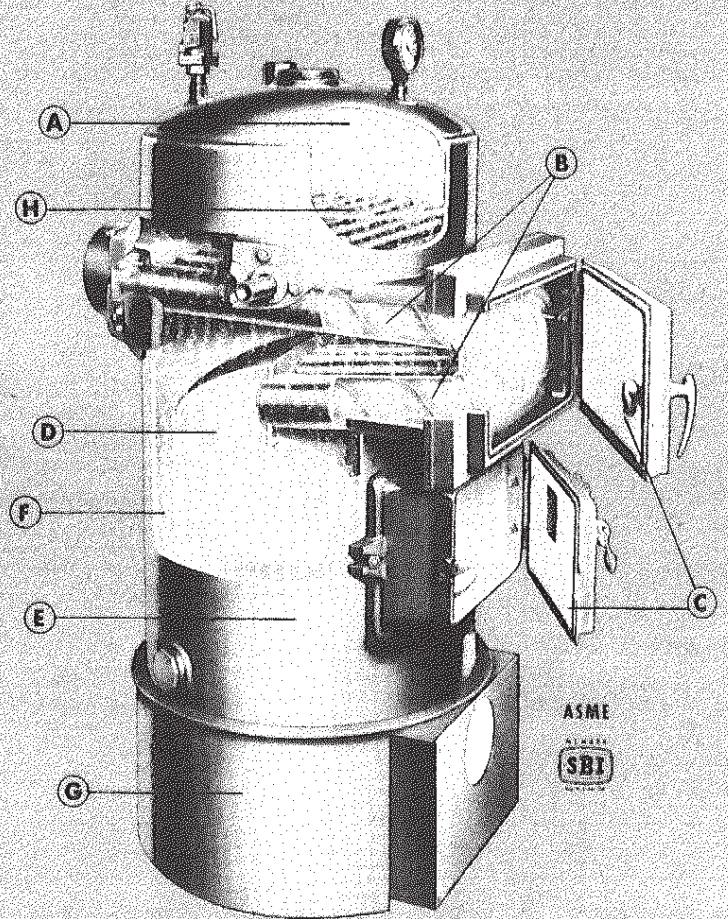
96,000 to 324,000 Btuh

Higher comfort standards for homes . . . with modern designs featuring enlarged window areas and in ranch types, far more roof and wall areas . . . impose a tougher heating problem on the boiler. This problem is met completely by Kewanee Round "R".

Sturdily built of heavy steel plate it stays on the job for many extra years. Features unusual dependability . . . economy . . . with a capacity to handle large overloads.

- A Ample steam space** holds a large reserve of steam for unusual demands . . . one reason Round "R" can be fired above its rated capacity and continue to operate with efficiency.
- B Two-pass tubes** . . . 3½" for 1734 boiler, 4" for 1735 and larger . . . provide longer travel for the hot gases retaining them in the boiler until all usable heat is transferred to the water. Spinner blades swirl gases against tube walls assuring maximum heat transfer.
- C Insulated sturdy cast iron doors.** Flue door and frame machine ground and sealed with asbestos rope gasket to form close fit.
- D Large, high firebox** provides correct space for complete combustion without waste of fuel.
- E Shell**, of extra heavy steel boiler plate, is welded into one piece, ready to set on its base.
- F Wide, free waterways** assure rapid circulation, sweeping steam bubbles quickly to the unobstructed release area, eliminating violent agitation of the water.
- G Heavy steel base** can "take it." With Round Jacket, base may be swung around to fire from front, rear, side or any angle.
- H Domestic hot water coil**, brazed in bronze fittings and mounted on steel plate with locknuts and rubber gaskets, provides ample hot water for kitchen, laundry and bath.

Specifications and data are shown for mechanically fired boilers. For information regarding hand-fired coal types, consult the nearest Kewanee representative.



ratings • mechanically fired—oil, gas or stoker

| boiler number | | 1734 | 1735 | 1738 | 17371 |
|--|-----------------|------|------|------|-------|
| SBI net rating (connected radiation plus hot water load) | | | | | |
| — steam or vapor | sq ft | 400 | 550 | 700 | 900 |
| — MBtuh — steam | | 96 | 132 | 168 | 216 |
| — water | | 108 | 149 | 189 | 243 |
| gross output | MBtuh | 144 | 198 | 252 | 324 |
| *firing rate | | | | | |
| — oil** | gph | 1.4 | 1.8 | 2.3 | 3.0 |
| — gas | MBtuh | 180 | 248 | 315 | 405 |
| — stoker*** | lb per hr | 16 | 22 | 28 | |
| heating surface | sq ft | 34 | 32 | 41 | 53 |
| furnace volume | cu ft | 4.4 | 6.4 | 8.9 | 8.9 |
| firebox volume, for stoker firing | cu ft | 3.7 | 5.4 | 7.4 | |
| safety valve capacity | lb steam per hr | 144 | 198 | 252 | 324 |

*firing rates calculated to develop boiler output of 150% of net steam rating.

**Based on 140,000 Btu oil.

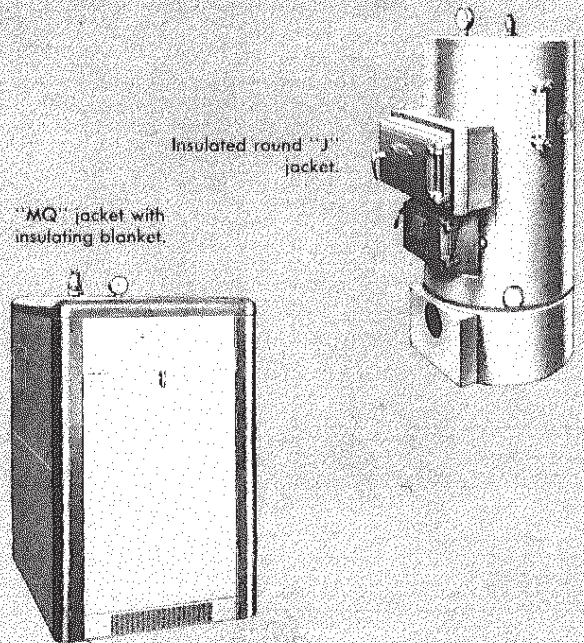
***Based on 12,000 Btu coal.

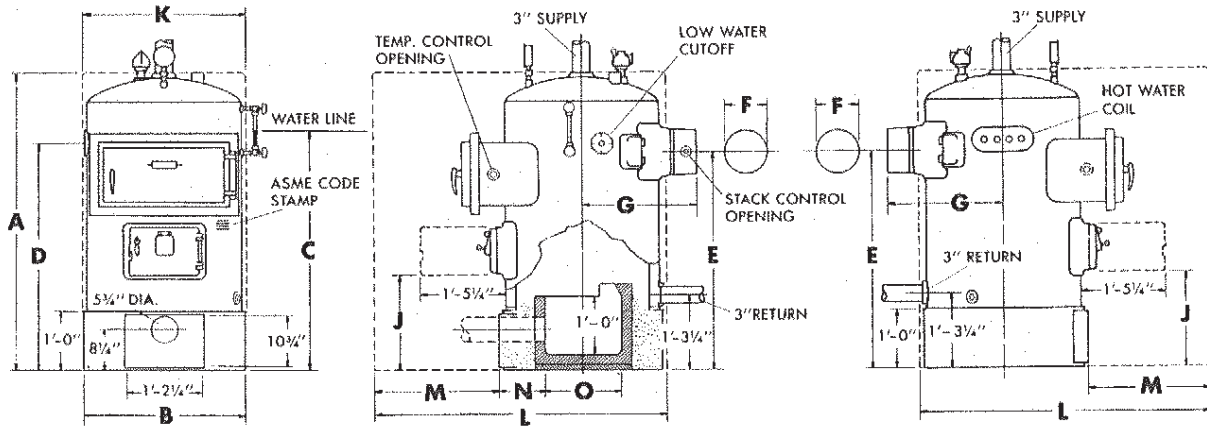
†17371 not furnished for stoker firing.

Standard equipment — Fire and flue cleanout doors with frames, metal base, cleanout cover plates, 1½ in. washout plugs, spinner blades for oil-gas. Soot and flue scrapers.

Standard steam trimmings — Safety valve, compound steam and vacuum gage, water gage. The extra 1½ in. tapping in top of boiler may be used for burner control.

Standard water trimmings — Relief valves as required by ASME Code for low pressure boilers, combination altitude gage and thermometer.





Round type "R" boilers
residential • oil, gas or stoker

dimensions and data (feet—inch)

| boiler number | 1734 | 1735 | 1736 | 1737 |
|--|----------------------------------|----------------------------------|----------------------------------|----------------------------------|
| unjacketed | 1734MQ | 1735MQ | 1736MQ | 1737MQ |
| square jacket (oil or gas only) | 1734J | 1735J | 1736J | |
| round jacket | | | | |
| boiler diameter | 1-11 ³ / ₄ | 2-3 ¹ / ₂ | 2-6 ¹ / ₂ | 2-6 ¹ / ₂ |
| firebox — inside diameter | 1-8 | 1-11 | 2-2 | 2-2 |
| — average height | 1-10 | 2-0 | 2-2 | 2-2 |
| A — height overall | 4-6 ¹ / ₂ | 4-10 | 5-0 ¹ / ₂ | 5-0 ¹ / ₂ |
| B — base diameter | 2-2 | 2-5 ¹ / ₂ | 2-8 ¹ / ₂ | 2-8 ¹ / ₂ |
| C — water line height | 3-8 | 3-11 | 4-1 | 4-1 |
| D — water coil connection height* | 3-5 ¹ / ₂ | 3-8 ¹ / ₂ | 3-10 ¹ / ₂ | 3-10 ¹ / ₂ |
| E — smoke outlet — height | 3-3 ¹ / ₂ | 3-6 ¹ / ₂ | 3-8 ¹ / ₂ | 3-8 ¹ / ₂ |
| F — diameter | 0-7 | 0-9 | 0-9 | 0-9 |
| G — to boiler center | 1-6 ³ / ₄ | 1-9 ¹ / ₂ | 1-11 | 1-11 |
| J — floor to bottom of firedoor | 1-7 ¹ / ₂ | 1-8 | 1-8 ¹ / ₂ | 1-8 ¹ / ₂ |
| K — round jacket diameter | 2-1 ³ / ₄ | 2-5 ¹ / ₄ | 2-8 ¹ / ₄ | |
| — square jacket — width | 2-11 | 3-3 | 3-6 | 3-6 |
| L — length | 3-8 ¹ / ₂ | 4-1 | 4-11 | 4-11 |
| M — front clearance | 1-5 ¹ / ₂ | 1-6 | 2-1 | 2-1 |
| N — minimum burner tube length | 0-8 | 0-8 | 0-9 | 0-9 |
| O — combustion chamber | | | | |
| — length, inside | 0-11 | 1-3 ¹ / ₂ | 1-3 ¹ / ₂ | 1-3 ¹ / ₂ |
| — width, inside | 0-10 ¹ / ₂ | 0-10 ¹ / ₂ | 1-3 | 1-3 |
| chimney — size | 0-8x0-8 | 0-8x1-0 | 0-8x1-0 | 0-10x0-10 |
| — height | 30-0 | 30-0 | 35-0 | 40-0 |
| outside surface to cover, unjacketed | sq ft 24 | 35 | 41 | 47 |
| approximate weight | | | | |
| — unjacketed | lb 800 | 920 | 1130 | 1400 |
| — jacketed MQ | lb 1100 | 1200 | 1450 | 1700 |
| — jacketed J | lb 835 | 960 | 1175 | |

*Coil connection sizes: 1 in. pipe for two outlets, 3/4 in. pipe for four outlets.



AMERICAN-Standard

INDUSTRIAL DIVISION

DETROIT 32, MICHIGAN