

BOILER SPECIFICATIONS :

CONSTRUCTION :
WELDED , ASME BRY CODE , SECTION IV

MAX. ALLOWABLE WORKING PRESS. (STEAM) --- 15 PSIG
HYDROSTATIC TEST PRESS. --- 60 PSIG
RATINGS --- HORSEPOWER --- 100 HP
--- HORSEPOWER --- 3348 HP
STEAM (FROM 8 @ 212° F) --- 3450 LBS/HR
STEAM (GROSS OUTPUT) --- 13850 50 FT
STEAM (WGA NET) --- 10485 50 FT
FIRING RATE --- GAS (4000 BTU/GAL) --- 4185 CFH
--- OIL (140000 BTU/GAL) --- 29.9 GPH
HEATING SURFACE (FIRESIDE) --- 418 50 FT
FURFACE VOLUME --- 66.9 CU FT
SHIPPING WEIGHT - APPROX --- 7200 LBS
FLOODED WEIGHT - APPROX --- 11114 LBS

STANDARD BOILER FEATURES :

1 THREE PASS ASME CODE BOILER WITH 2" FIRETUBES,
DESIGNED FOR FORCED DRAFT OPERATION

2 SKID-TYPE BASE WITH REFRACTORY FLOOR

3 GAS-TIGHT INSULATED FRONT FLUEBOX WITH
BOILER DATA PLATE ON THE COVER, AND 1/2"
DRAIN CONNECTION ON BOTTOM

4 GAS-TIGHT REAR FLUEBOX WITH REAR OUTLET,
CLEANOUT OPENING ON RIGHT SIDE, AND 1/2"
DRAIN CONNECTION ON BOTTOM

5 16" ROUND REAR ACCESS OPENING, REFRACTORY
LINED, WITH A 2" PRESH OBSERVATION PORT

6 WRAP-AROUND, INSULATED, 22 GA STEEL JACKET

7 9 - 1 1/2" PLUGGED WASHOUT/INSPECTION OPENINGS
(WITH SOCKET WRENCH - SL)

8 FLYE GAS THERMOMETER - 150-750°F - LEFT SIDE
REAR FLUEBOX - 3" STD OR 5" OPTIONAL - SL

9 3 1/2" COMPOUND PRESSURE GAUGE, 30" H₂O/30PSIG

10 2 1/2" CONRAGO FIG #12-206 SAFETY RELIEF
VALVE SET AT 15 PSIG, WITH A 2 1/2" SIDE OUTLET,
TOTAL RELIEVING CAPACITY OF 3529 LBS/HR - SL

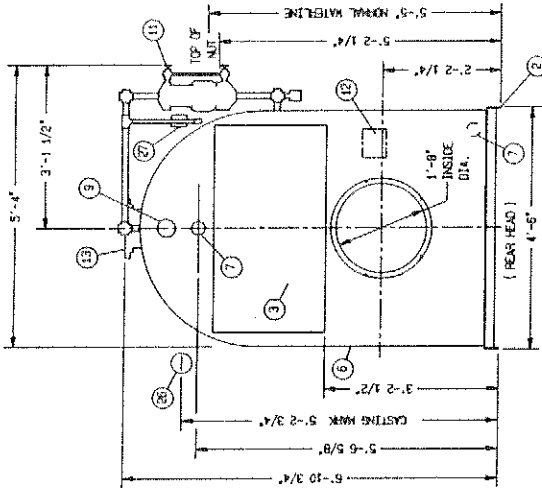
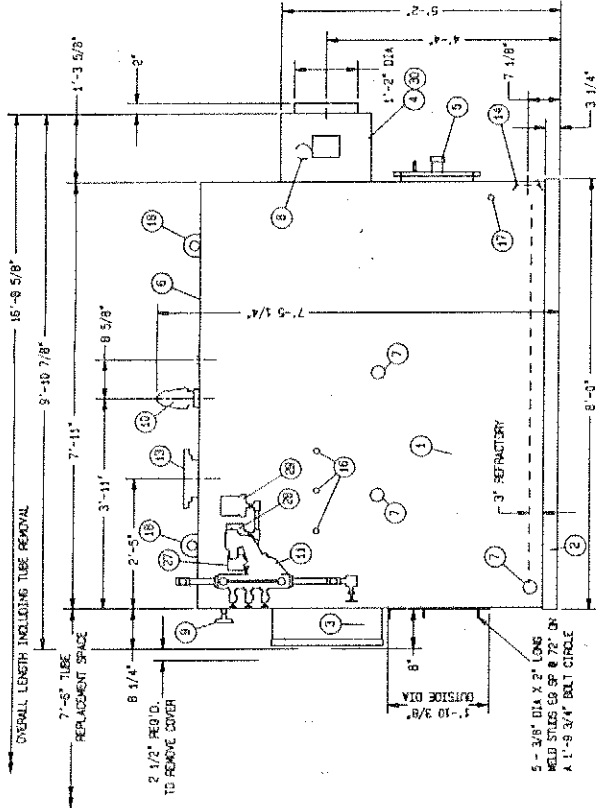
11 MCDONNELL 5 MILLER NO 157-R COMBINATION
WATER COLUMN, PUMP CONTROL, LOW WATER CUT-
OFF, 5 ALARM SK (WITH WATER GAUGE GLASS - SL)

12 ASME CODE STAMP - FRONT HEAD

13 8" - 150# ANSI FLANGED SUPPLY CONNECTION WITH
8 - 7/8" HOLES ON A 11 3/4" BOLT CIRCLE, ALSO
WITH BAFFLE, TOP C/L

14 4" FPT RETURN CONNECTION, C/L REAR HEAD

15 1" PLUGGED EQUALIZER OPENING, FRONT LEFT SIDE



- 16 3 - 3/4" PLUGGED OPENINGS, RIGHT SIDE
- 17 3/4" PLUGGED OPENING, LOWER REAR RIGHT SIDE
- 18 TWO LIFTING LOOPS, TOP C/L

OPTIONAL BOILER FEATURES :

- 26 MCDONNELL 5 MILLER 63-H SECOND LOW WATER
CUT-OFF, WITH ALARM SK., MANUAL RESET - SL
- 27 HONEYWELL PA404A HIGH LIMIT CONTROL
- 28 HONEYWELL L404A OPERATING CONTROL
- 29 HONEYWELL PA404A HI-LOW CONTROL

NOTE: ALL LISTED STD. & OPTIONAL EQUIP. IS
MOUNTED, PIPED, WIRED, & READY FOR FIELD
HOOKUP, EXCEPT FOR ITEMS INDICATED BY SL.
(I INDICATES THEY ARE SHIPPED LOOSE)

PROJECT : ST. JOHNS ACADEMY

LOCATION : KANSAS CITY, MO

SALES ORDER NO : 838911

CUSTOMER ORDER NO : 21272

KENAWEE

101 Franklin Street, Kewanee, Illinois 61442

KENAWEE K-4.5-418-KX
SQUARE HEAT GENERATOR
GAS OR OIL FIRED -- 15# STEAM

DATE: 5-16-68
SCALE: 3/4"

SIZE: DWG NO: 48171

MB

DRAWING APPROVAL AND SUBSEQUENT CHANGES
This drawing is submitted to you for your final
approval.
Upon receipt of your approval the parts of the
equipment will be detailed, mechanical components
will be purchased and bills of material and final
drawings distributed to all manufacturing depart-
ments.
Changes made by you after such approval will result
not only in production delay but also in added cost.
We therefore ask that you exercise caution when
approving this drawing so that your approval will
reflect your exact requirements.